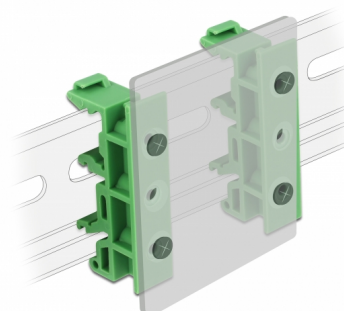


Delock DIN rail clip for PCB 4 pieces

Description

This DIN rail clip by Delock can be used to mount e.g. a PCB or single-board computer on a 15 mm or 35 mm DIN rail.

[DIN rail clip for PCB](#)



Item no. 65961

EAN: 4043619659616

Country of origin: Taiwan,
Republic of China

Package: Zip poly bag

Technical details

- DIN rail mounting: 15 mm and 35 mm
- 3 mounting holes
- Mounting hole diameter: 1.35 mm
- Pitch of screw hole: ca. 12.5 mm
- Environmental temperature: -10 °C ~ 70 °C
- Material: plastic
- Colour: green
- Dimensions (LxWxH): ca. 42.9 x 19.3 x 10 mm

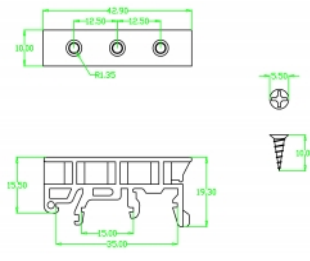
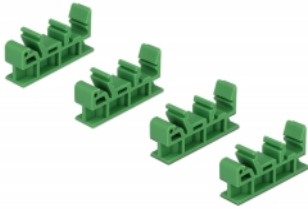
System requirements

- 15 mm or 35 mm DIN rail

Package content

- 4 x DIN rail clip
- 10 x screw 3 x 10 mm

Images



General

Mounting type:	DIN rail mounting: 15 mm and 35 mm
----------------	------------------------------------

Technical characteristics

Storage temperature:	-10 °C ~ 70 °C
----------------------	----------------

Physical characteristics

Housing material:	Plastic
Screw type:	M3
Length:	42.6 mm
Width:	19.3 mm
Height:	10 mm
Colour:	green